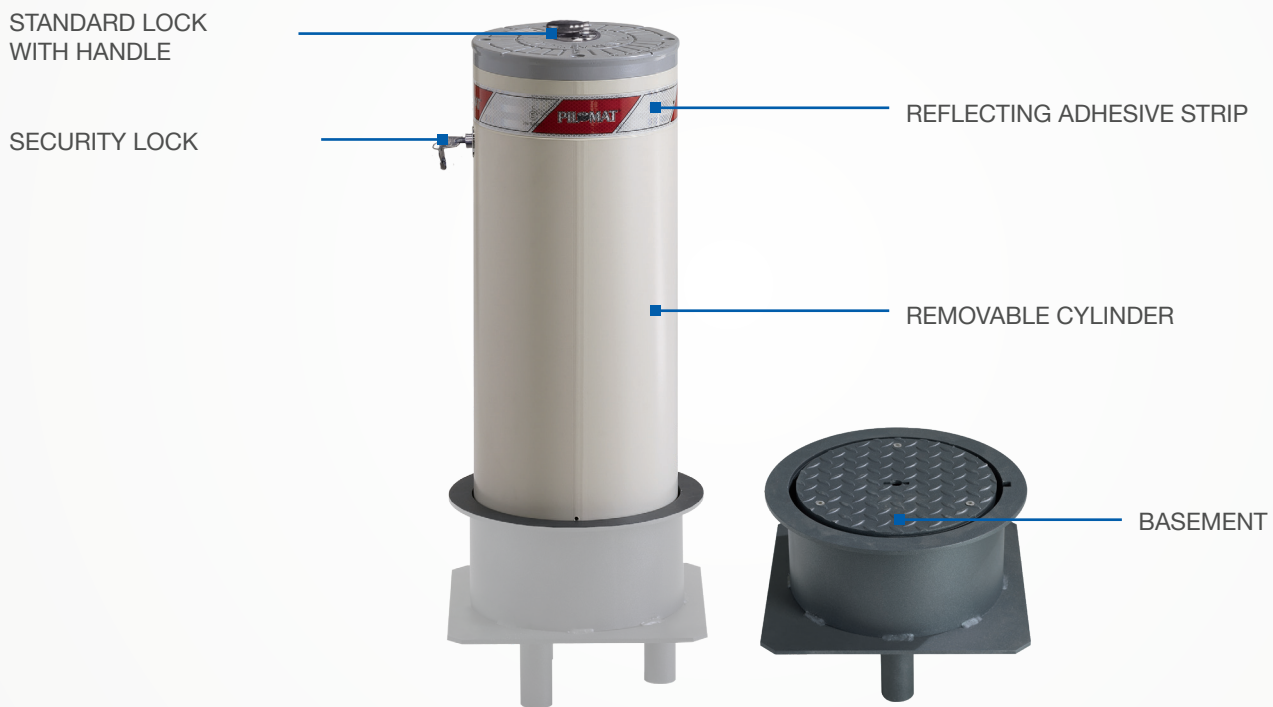


275/RM 600-800



REMOVABLE BOLLARDS

The removable bollards 275/RM 600 and 275/RM 800 are typically used to prevent the parking of unauthorised vehicles, transit and access by unauthorised vehicles in driveways, and protection of shatter-proof windows. Because of the removal procedure, it is recommended to choose the removable bollards only if the amount of daily movements is limited (otherwise the automatic bollards should be used) or when the installation depth does not allow for the installation of the automatic bollards.



275/RM 600-800



AVAILABLE ITEMS

BOLLARD 275/RM FEV – NORMAL STEEL PAINTED

BOLLARD 275/RM IXS – STAINLESS STEEL BRUSHED

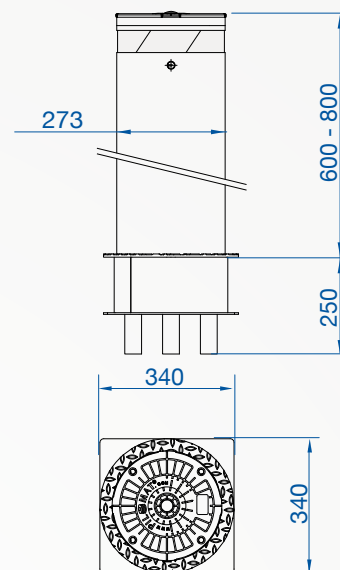
BOLLARD 275/RM IXV – STAINLESS STEEL PAINTED equipped with 3 EU lock keys

ADHESIVE REFLECTING STRIP - STANDARD: RED/WHITE (PILOMAT LOGO) - OPTIONAL: WHITE (NO LOGO)

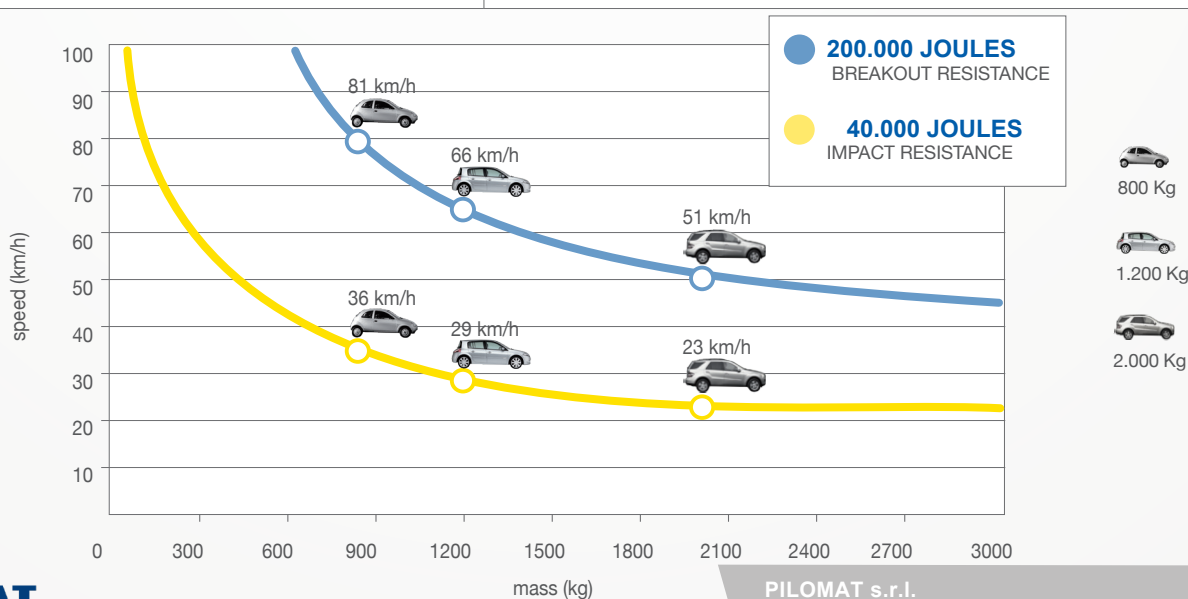
PAINTING WITH RAL COLOUR ON REQUEST

ADDITIONAL KEY FOR EU LOCK (normal steel - stainless steel brushed)

ADDITIONAL EU PROFILE LOCK WITH IDENTICAL KEYS (installation with several bollards)



	275/RM-600	275/RM-800
CYLINDER MATERIAL	S235JR NORMAL STEEL - X5CrNi 18-10 (AISI 304) STAINLESS STEEL	
CYLINDER DIAMETER	273mm	
CYLINDER HEIGHT	600mm	800mm
CYLINDER THICKNESS	4mm	
NORMAL STEEL CYLINDER FINISH	ANTI-CORROSION TREATMENT - STANDARD PAINTING GREY ANTHRACITE	
STAINLESS STEEL CYLINDER FINISH	GREY ANTHRACITE STANDARD PAINTING OR BRUSHING	
REFLECTING ADHESIVE STRIP	STANDARD - HEIGHT 55mm	
IMPACT RESISTANCE (WITHOUT DEFORMATION)	40.000J	
BREAKOUT RESISTANCE	200.000 J	
OPERATING TEMPERATURE	-40 °C +70 °C	
BOLLARD WEIGHT (WITHOUT BASEMENT)	22,5Kg	27,5Kg
BASEMENT WEIGHT	17,5Kg	
STANDARD LOCK	EUROPEAN PROFILE HALF CYLINDER ACCORDING TO DIN 18252	



PAG.2/2

PILOMAT
HÖRMANN
 100% MADE IN ITALY

PILOMAT s.r.l.
 www.pilomat.com | pilomat@pilomat.com
 Via Zanica 17/p, 24050, Grassobbio (BG) Italy
 Tel. +39.035.29.72.20
 Copyright 2021© Pilomat S.r.l. All rights reserved

REVIEW

04/10/2021