

NEW

127/EM 600A-800A



AUTOMATIC BOLLARD WITH ELECTROMECHANICAL ACTUATOR

The 127/EM 600A and 127/EM 800A are automatic electromechanical bollards with integrated actuator.

The EM Series electromechanical bollards are the products with the best quality - price ratio in the Pilomat range

The 127/EM bollards are recommended for installation on private ground, specifically for the management of: pedestrian areas, private parkings, business parkings, private and business driveways.

- These automatic bollards are recommended for installations of medium frequency use, approx. 100 cycles/day.
- The control unit is designed for systems of max. 3 bollards.
- **The EM series electromechanical bollards help reducing the environmental risk.**



Anticorrosion marine treatment

PILOMAT
HÖRMANN
100% MADE IN ITALY

PAG.1/3

PILOMAT s.r.l.
www.pilomat.com / pilomat@pilomat.com
Via Zanica 17/p, 24050, Grassobbio (BG) Italy
Tel. +39.035.29.72.20
Copyright 2023© Pilomat S.r.l. All rights reserved

REVIEW 27/03/2023

*Information in this document is for reference only. In pursuit of its policy of continuous refinement and improvement, Pilomat reserves the right to amend this information at any time and without prior notice.
Picture shown is for illustration purpose only.*

AVAILABLE ITEMS

BOLLARD 127EM FEV – NORMAL STEEL PAINTED

BOLLARD 127EM IXS – STAINLESS STEEL BRUSHED AISI 304

BOLLARD 127EM IXV - STAINLESS STEEL PAINTED

KIT HEAD WITH LED POINT
ONE KIT FOR EACH BOLLARD

KIT ACOUSTIC WARNING SIGNAL
ATTENTION: AVAILABLE ONLY FOR HEAD WITH LIGHTING STRIP
ONE KIT FOR EACH BOLLARD

KIT MAGNETIC CONTACT FOR TRAFFIC LIGHT
ONE KIT FOR EACH BOLLARD

ADHESIVE REFLECTING STRIP - WHITE (NO LOGO)

FOUNDATION BOX FOR BOLLARD 127EM – COUNTERFRAME AND BRACKET

CONTROL UNIT FOR AN INSTALLATION UP TO MAX 3 127/EM BOLLARDS
- N. 2 ACCUMULATORS

REMOTE RADIO RECEIVER

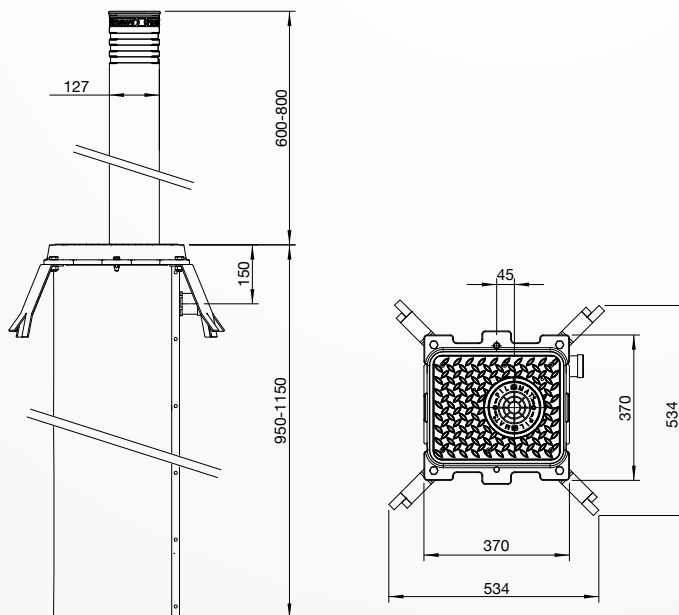
RADIO TRANSMITTER TWO CHANNEL

TRAFFIC LIGHT WITH TWO LIGHTS (RED - GREEN)

INDUCTIVE DETECTOR FOR TWO INDUCTIVE LOOPS

INDUCTIVE LOOPS

HEATING RESISTANCE - TRANSFORMER - THERMOSTAT



PAG.2/3

127/EM 600A-800A



	127/EM-600A	127/EM-800A
CYLINDER MATERIAL	S235JR NORMAL STEEL - X5CrNi 18-10 (AISI 304) STAINLESS STEEL	
CYLINDER DIAMETER	127mm	
CYLINDER HEIGHT	600mm	800mm
CYLINDER THICKNESS	4mm	
MOVEMENT PRINCIPLE	ELETTROMECHANICAL	
CYLINDER NORMAL STEEL FINISH	ANTI-CORROSION TREATMENT - GREY ANTHRACITE STANDARD PAINTING	
CYLINDER STAINLESS STEEL FINISH	GREY ANTHRACITE STANDARD PAINTING OR BRUSHING	
REFLECTING ADHESIVE STRIP	STANDARD - HEIGHT 22mm	
RISING SPEED	9,5cm/s	11cm/s
LOWERING SPEED	12cm/s	14cm/s
EMERGENCY LOWERING IF POWER FAILED	STANDARD (ACCUMULATORS 12V 7AH INTO THE CONTROL UNIT)	
SAFETY REVERSAL	STANDARD	
CONNECTION LINE TO CONTROL UNIT	STANDARD 10m (MAX 30m)	
VOLTAGE FOR CONTROL UNIT	230/400 VAC (+/- 10%) 50/60Hz	
ELECTROMECHANICAL MOTOR	BUILT-IN THE BOLLARD	
PROTECTION CLASS	IP 67	
TYPE OF USE	100 CYCLES/DAY	
LIFE UNITS	200.000 CYCLES	
IMPACT RESISTANCE (WITHOUT DEFORMATION)	20.000 J	
BREAKOUT RESISTANCE	150.000 J	
NOMINAL OPERATING TEMPERATURE	-40°C +70°C (FOR LOW TEMPERATURES SEE HEATING RESISTANCE)	
LOAD CLASS (EN124)	D400	

